



THE STEAK AGER

— *Age it to Perfection* —

ORIGINAL USER GUIDE

Now that you have purchased a Kingsford™ SteakAger product, you can be confident knowing that as well as our 1-year parts and labor warranty, you have the added peace of mind of a dedicated helpline and web support.



READ ALL INSTRUCTIONS BEFORE USE

For your safety and continued enjoyment of this product, always read the instruction manual before using.

CONTENTS

- 1** Introduction
- 2** Safety Instructions
- 3** The SteakAger Original Assembly
- 4** Features and Functions
- 5** Operating Instructions
- 6** Cleaning and Maintenance
- 7** Warranty Terms and Conditions

INTRODUCTION

Congratulations!

You have made an excellent choice with the purchase of this Kingsford™ SteakAger product. You can be confident this Kingsford™ SteakAger product has been manufactured to the highest standards of performance and safety, and is supported by the team at Kingsford™ SteakAger.

We want you to be completely satisfied with your purchase of this Kingsford™ SteakAger product, which is backed by a comprehensive manufacturer's 1 year warranty and ongoing support through our After Sale Support Team.

If you require technical support or in the unlikely event your product was received damaged, please call our helpline for immediate assistance. Product claims made within the 1 year warranty period will be repaired and/or replaced free of charge provided you have satisfactory proof of purchase (keep your receipt). This limited warranty does not apply in cases of damage caused by accident, improper use, abuse or force majeure.

This limited warranty will be invalidated if the appliance is tampered with in any way whatsoever. In case of questions or technical problems please call the following toll free help line:

833-STEAK-LO(VER) (833-783-2556), Monday-Friday 9am to 5pm EST.

If the appliance is returned, it must be packed correctly, as we cannot accept responsibility for damage caused in transit. We recommend using a traceable, insured delivery service.

SAFETY INSTRUCTIONS

IMPORTANT SAFEGUARDS

THIS APPLIANCE IS FOR HOUSEHOLD USE ONLY



WARNING: When using electrical appliances especially when children are present, basic safety precautions should always be followed to reduce the risk of fire, shock, and/or injury to persons, including the following:

- ① Read all Instructions.
- ② AVOID ELECTRICAL SHOCK. DO NOT immerse cord, plug or the Kingsford™ SteakAger in water or other liquid.
- ③ UNPLUG the Kingsford™ SteakAger from outlet when not in use or before cleaning. DO NOT add or remove parts while running.
- ④ Never touch or obstruct the rear vent during operation, ensure minimum clearance is 1" at back of SteakAger
- ⑤ Children should not use the Kingsford™ SteakAger unsupervised; close supervision is required when appliance is used near or with children
- ⑥ Never touch any moving parts in the product.
- ⑦ Operation of the Kingsford™ SteakAger requires it to be placed on a level surface in the refrigerator.
- ⑧ Never operate the Kingsford™ SteakAger with a damaged cord or plug that has been damaged in any way. Immediately contact Customer Service for analysis and resolution.
- ⑨ DO NOT add unauthorized attachments.
- ⑩ Use only with factory cord supplied; NEVER add extension cords. Unplug when not in use.
- ⑪ Do not use product for any purpose outside its intended use.
- ⑫ **WARNING:** This product contains a chemical known to the State of California to cause cancer.
- ⑬ **WARNING:** This product contains a chemical known to the State of California to cause birth defects or other reproductive harm.

SAFETY INSTRUCTIONS

IMPORTANT SAFEGUARDS

THIS APPLIANCE IS FOR HOUSEHOLD USE ONLY

POWER CORD INSTRUCTIONS

- (a) A power supply is provided that is rated for use with your Kingsford™ SteakAger DO NOT substitute or replace. If your power cord is damaged, contact Customer Service immediately for analysis and replacement options.
- (b) The power cord should be arranged to keep out of reach of children.
- (c) Run power cord into refrigerator on the hinge side of the door and arrange in refrigerator so that cord will not be pulled on when accessing the space.

LINE CORD SAFETY TIPS

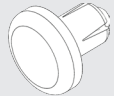
- ① Never pull or yank on cord or the appliance.
- ② To insert plug, grasp it firmly and guide it into outlet.
- ③ To disconnect appliance, grasp plug and remove it from outlet.
- ④ Before each use, inspect the line cord for cuts and/or abrasion marks. If any are found, this indicates that the appliance should be serviced and the power cord replaced. Please contact Customer Service.
- ⑤ Never wrap power cord tightly around the appliance, as this could place undue stress on the power cord and cause it to fray and break.

UNPLUG APPLIANCE IF THE POWER CORD SHOWS ANY DAMAGE, IF APPLIANCE WORKS INTERMITTENTLY OR IF IT STOPS WORKING ENTIRELY.

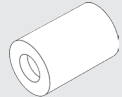
This appliance is not intended for use by persons (including children) with reduced physical, sensory or mental capabilities, or lack of experience and knowledge, unless they have been given supervision or instruction concerning use of the appliance by a person responsible for their safety.

STEAKAGER ORIGINAL ASSEMBLY

PARTS LIST



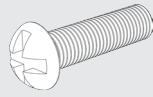
Rivet Assembly (x12)



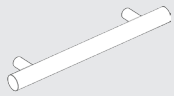
Rivet Cap(x8)



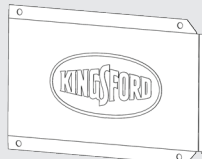
Rivet Cover (x4)



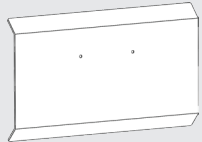
Screws (x2)



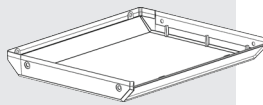
Handle



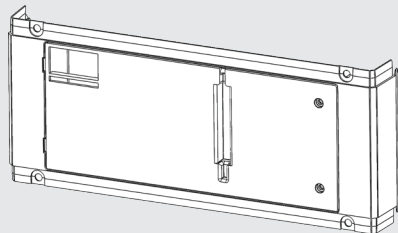
Panels (x2)



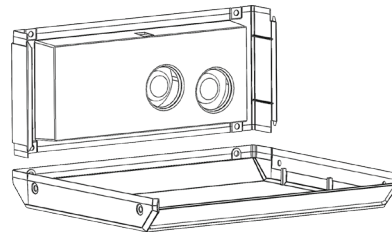
Window



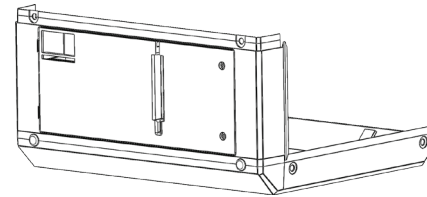
Top/Bottom(x2)



Control Deck

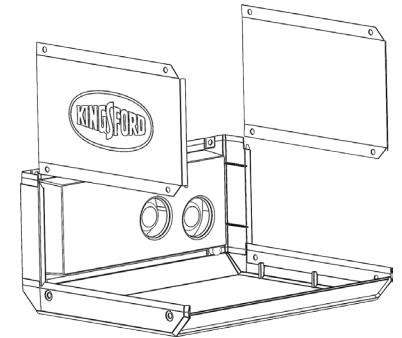


- 1** Slide control deck into mounting groove on bottom.

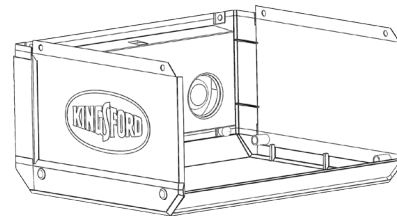


- 2** Secure control deck with rivet assembly and rivet cover.

*Refer to Rivet Cover Assembly

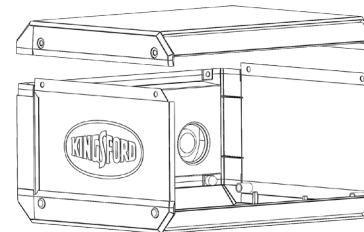


- 3** Slide left and right stainless steel panels into mounting groove on bottom and control deck.

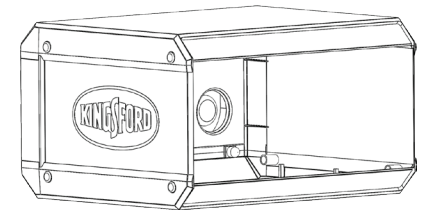


- 4** Secure side panel with rivet assembly and rivet cap.

*Refer to Rivet Cap Assembly

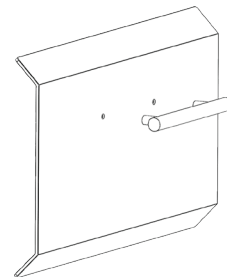


- 5** Slide top onto unit making sure side panels and control deck are seated in the mounting groove.

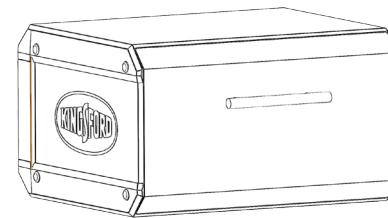


- 6** Secure top with rivet assembly and rivet cap.

*Refer to Rivet Cover Assembly



- 7** Mount handle to window with screws (x2).



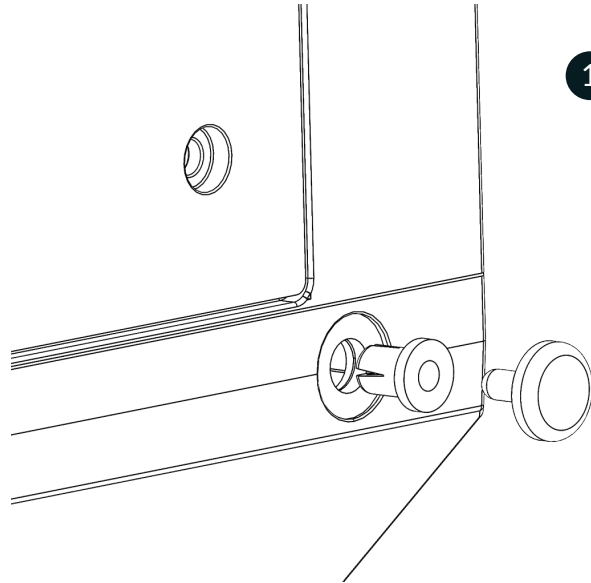
- 8** Attach window to complete assembly.



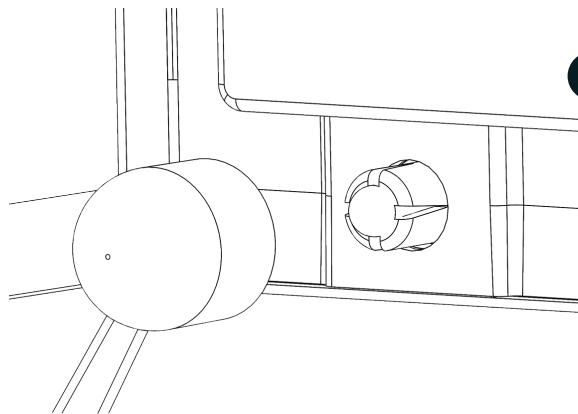
THE STEAKAGER
— Age it to Perfection —

STEAKAGER ORIGINAL ASSEMBLY

RIVET COVER ASSEMBLY



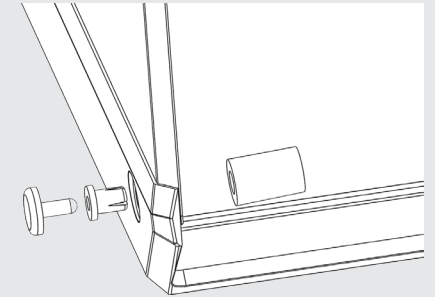
- 1 Insert rivet sleeve into mounting hole, push in rivet pin to secure assembly.



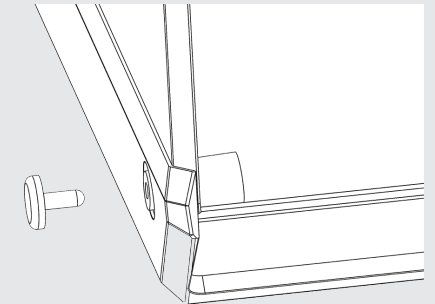
- 2 On the other side securely push on rivet cover.

RIVET CAP ASSEMBLY

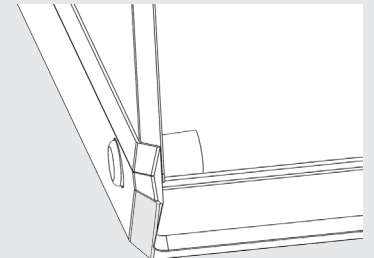
- 1 Insert rivet sleeve into hole.



- 2 Push rivet cap onto rivet sleeve.



- 3 Push in rivet pin to secure assembly.



FEATURES AND FUNCTIONS

Housing

The overall housing is constructed of tough ABS plastic and stainless steel to provide years of maintenance free operation.

Stainless Steel Panels

Remove the protective film before assembly.

The Control Deck

Contains all of the controls and functionality systems for your SteakAger. DO NOT immerse in water, wipe clean exterior only.

The Carbon Filter

Is designed to slip into the slot and limit odors from the dry aging process. The filters are replaceable and washable.

The Transparent Window

The process of drying can be observed without opening the door.

Assembling the Original

1. Place Bottom on level surface.
2. Disassemble all white snap rivets and separate rivet heads from bases.
3. Place Control Deck with cable hanging down onto Bottom and align holes.
4. Follow Rivet Instructions and install 2 rivets.
5. Add each Side Panel, align holes and install each rivets.
6. Place Top, align hole and insert all rivets.
7. Mount Handle onto Window.
8. Place Rack in appliance.
9. Place Window.

OPERATING INSTRUCTIONS

BEFORE FIRST USE

- ① Place the SteakAger on a level flat surface that is clean and dry.
- ② Wash all surfaces of the appliance with a soft damp cloth and warm, sudsy water.
- ③ Wash drying rack with a soft damp cloth and warm, sudsy water.
- ④ Dry thoroughly with paper towel or soft cloth.
- ⑤ Read safety instructions.
- ⑥ Insert drying rack.
- ⑦ Place in fridge.
- ⑧ Supply power cord wire from hinge side of door.
- ⑨ Be sure to leave clearance at back of unit of 1"
- ⑩ Plug the unit in and you will hear a blower begin running and that means you're ready to run.

TO CONNECT TO YOUR KINGSFORD™ STEAKAGER

- ① Download the Kingsford™ SteakAger App from the App Store or Google Play for free
- ② Make sure your appliance is plugged in and running.
- ③ Follow the App instructions for either iOS, Android or Bluetooth direct connect monitoring of your Kingsford™ SteakAger
- ④ Through the App you can set the Aging Counter, get recommendations and track the progress through to a delicious dry aged experience.

OPERATING INSTRUCTIONS

GETTING READY TO USE YOUR STEAKAGER

- Set your refrigerator thermostat to maintain 34-38°F/1.1-3.3°C
- Purchase a cut of beef of your preference:
 - o T-bone
 - o Ribeye
 - o NY Strip
- Use the rack as a cutting guide for sizing length of cut
- Thoroughly pat dry the beef before placing in the SteakAger
- When placing beef in the SteakAger be careful that beef DOES NOT TOUCH ANY SURFACE INSIDE THE APPLIANCE.
- Place the window on the SteakAger and note it is NOT a sealed door.

NOTES ON GETTING STARTED

Unlike other things you prepare in your kitchen, there is no “done” time with dry aging beef. Your first aging should be an 8-10lb cut of your choice aged for 21-28 days to begin your flavor journey. You will learn a lot from our Facebook Family page and our App. Try different cuts and experiment with different aging times to experience different flavor profiles.

THE VISUAL CHANGES OF DRY AGING BEEF

You'll notice lots of changes during the aging process such as:

- A hardening crust called the pellicle will form.
- Darkening color.
- Shrinkage which mostly occurs in the first 21 days.

Your beef will lose up to 25% of it's starting weight as water is removed during aging.

OPERATING INSTRUCTIONS

TIME FOR DELICIOUSNESS!

You've waited long enough and now it's time to experience the finest steaks you've ever had!

- Take the beef from the unit
- Carve off 1/8"-1/4" (3mm-7mm) of the pellicle from each end until you see non hard flesh.
- If you are cooking the roast whole, continue to remove the pellicle from entire surface of the cut. You will quickly see the color change and feel the cutting getting easier at the proper cut point.
- If serving individual steaks, it has been found to be easier to cut steaks and then trim the pellicle from the individual steaks.
- Freeze those extra steaks! Dry aged beef has very little water and they freeze and preserve perfectly.
- CAUTION WHEN COOKING! Dry aged beef has very little water and cooks very quickly so keep your eye on the prize while cooking and use a temperature probe if you can.
- Enjoy!

ATTENTION PLEASE NOTE

- You can only dry age whole cuts of beef – not individual steaks
- The Kingsford™ SteakAger is designed to dry age beef only.
- The Kingsford™ SteakAger is NOT designed to age fish, chicken, pork, lamb or game meat.
- To reduce risk of cross contamination, do not cut just a few steaks off and place the rest back in the The Kingsford™ SteakAger.

CLEANING AND MAINTENANCE

BEFORE FIRST USE

- ① Unplug the The Kingsford™ SteakAger and place on a level flat surface that is clean and dry.
- ② Wash all surfaces of the appliance with a soft damp cloth and warm, sudsy water.
- ③ Wash drying rack with a soft damp cloth and warm, sudsy water or dishwasher.
- ④ Dry thoroughly with paper towel or soft cloth.
- ⑤ DO NOT immerse appliance in water.

BETWEEN AGING CYCLES

- ① Place the Steakager on a level flat surface that is clean and dry.
- ② Wash all surfaces of the appliance with a soft damp cloth and warm, sudsy water.
- ③ Wash drying rack with a soft damp cloth and warm, sudsy water or dishwasher.
- ④ Dry thoroughly with paper towel or soft cloth.
- ⑤ DO NOT immerse appliance in water.

These instructions, additional information , FAQ's and assembly videos can be found online at www.thesteakager.com.

WARRANTY TERMS & CONDITIONS

Your SteakAger and Our Commitment

We want you to be completely satisfied with your purchase of this Kingsford™ SteakAger product, which is backed by a comprehensive manufacturer's 1 year warranty and ongoing support through our After Sale Support Team.

If you require technical support or in the unlikely event your product was received damaged, please call our helpline for immediate assistance. Product claims made within the 1 year warranty period will be repaired and/ or replaced free of charge provided you have satisfactory proof of purchase (keep your receipt). This limited warranty does not apply in cases of damage caused by accident, improper use, abuse or force majeure.

This limited warranty will be invalidated if the appliance is tampered with in any way whatsoever. In case of questions or technical problems please call the following toll free help line:

833-STEAK-LO(VER) (833-783-2556), Monday-Friday 9am to 5pm EST.

If the appliance is returned, it must be packed correctly, as we cannot accept responsibility for damage caused in transit. We recommend using a traceable, insured delivery service.

For Additional Information Online: <https://thesteakager.com/return-policy>

PRIVACY POLICY

We never share you information.

For Additional Information Online: <https://thesteakager.com/privacy-policy>